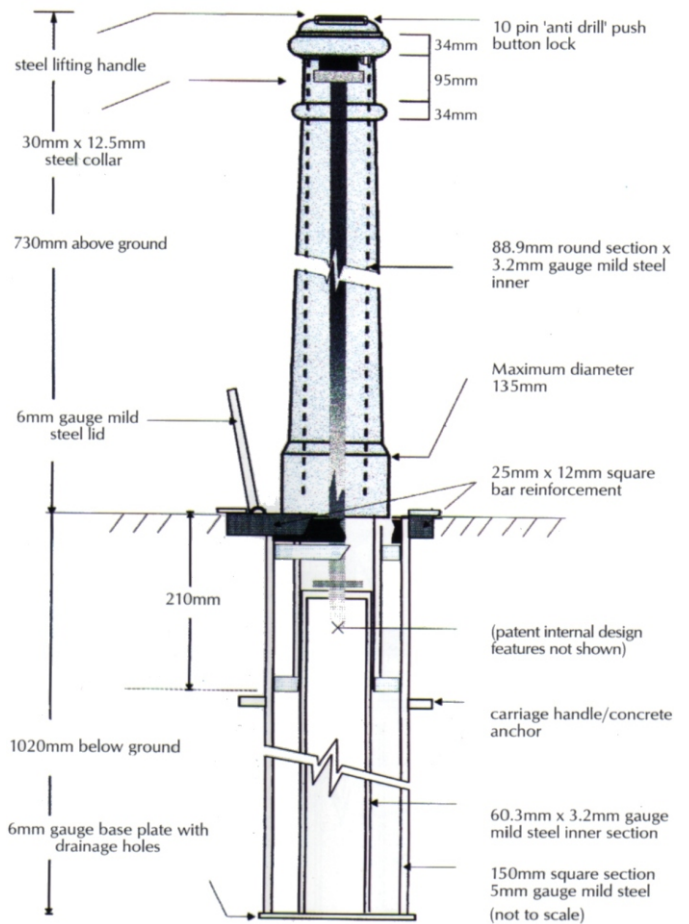


Ornamental Telescopic Security Bollard



Ornamental good looks combined with the convenience and strength of a steel telescopic post

Standard Finish : Black (Other colours available as optional extra)

Specification:

Upper post cast from engineering grade polyurethane with two pack gloss coating.

All steels to BS1449 Galvanised to BS729/1971

Height above Ground: 730mm

Total Weight 49Kg

Operating Weight 16Kg